

Tuxgraphics LCD display 20x2 characters

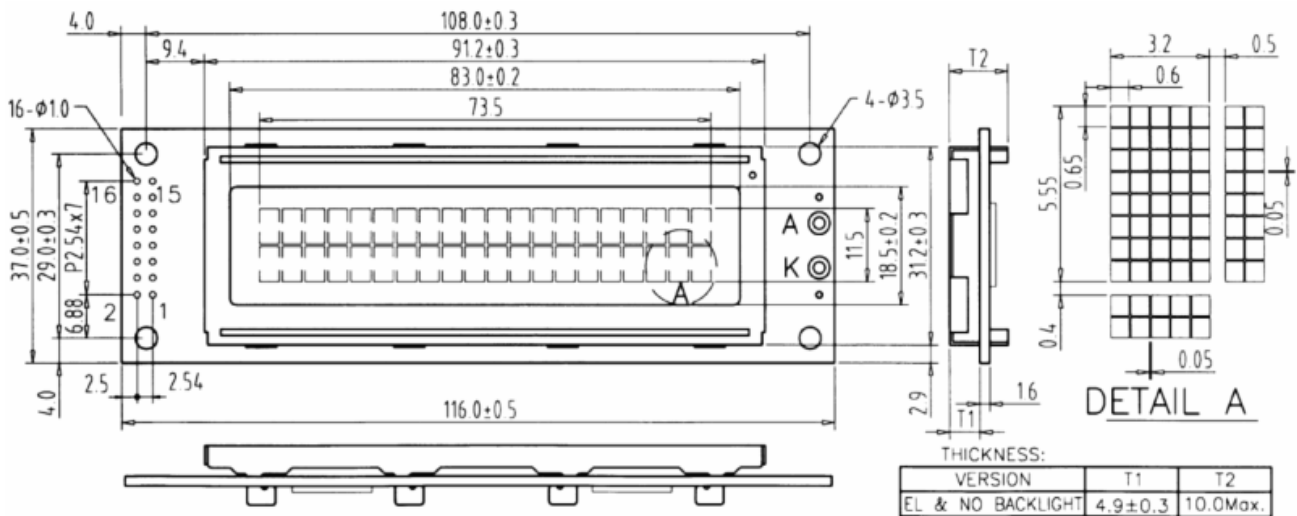
(reflective, without background light)

Controller type: Samsung KS0066 or equivalent (HD44780 compatible controller)
 Interface: 4-bit or 8-bit parallel
 Supply voltage: 5V
 Supply current: ca. 2mA
 Storage temperature: -20 to +70 °C Operating temperature: 0 to 50 °C
 Viewing angle: 6 O'clock

Connector Pin Assignment:

Pin	Symbol	Function	Pin	Symbol	Function
14	DB7	Data Bus Line	6	E	Enable
13	DB6	Data Bus Line	5	R/W	Read/Write
12	DB5	Data Bus Line	4	RS	Register select input
11	DB4	Data Bus Line	3	Vcontrast	Contrast (0V for max contrast)
10	DB3	Data Bus Line	2	Vcc	Power supply +5V or +3.3V
9	DB2	Data Bus Line	1	GND 0V	Ground
8	DB1	Data Bus Line			
7	DB0	Data Bus Line			

Dimensions and pin positions



(dimensions in mm)

Double check the polarity of the power supply connection. Incorrect polarity will destroy the display immediately.