

Tuxgraphics blue LCD display, 16x2 characters

(transmissive, negative, with white LED back-light)

Controller type: HD44780 compatible controller

Interface: 4-bit or 8-bit parallel

Supply voltage: 4.75V (min) to 5.25V (max)

Supply current: ca. 3mA for logic and 15-25mA for the back-light.

Storage temperature: -10 to +60 °C

Operating temperature: 0 to 50 °C

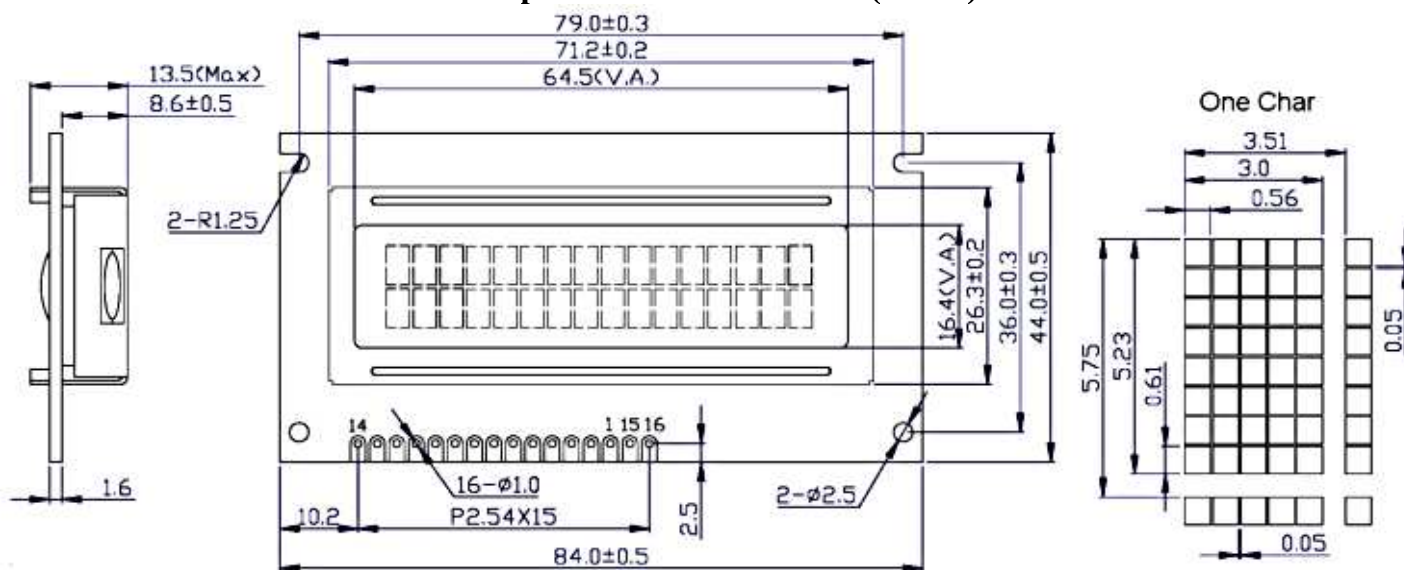
Viewing angle: 6 O'clock

Connector Pin Assignment:

Pin	Symbol	Function	Pin	Symbol	Function
14	DB7	Data Bus Line	6	E	Enable
13	DB6	Data Bus Line	5	R/W	Read/Write
12	DB5	Data Bus Line	4	RS	Register select input
11	DB4	Data Bus Line	3	Vcontrast	Contrast (connect to GND for max contrast)
10	DB3	Data Bus Line	2	Vcc +5V	Power supply
9	DB2	Data Bus Line	1	GND (0V)	Power supply
8	DB1	Data Bus Line	15	LED +	Back light, connect with a resistor to +5V
7	DB0	Data Bus Line	16	LED -	Back light, connect to GND

Recommended resistor for back light: 100 Ohm to 150 Ohm for 5V. To reduce the number of wires you can solder the resistor directly on the LCD module from pin 15 to pin 2 and use a hook up wire between pin 16 and pin 1. Those pins are on purpose close to each other.

Pin positions and dimensions (in mm)



Double check the polarity of the power supply connection. Incorrect polarity will destroy the display immediately.